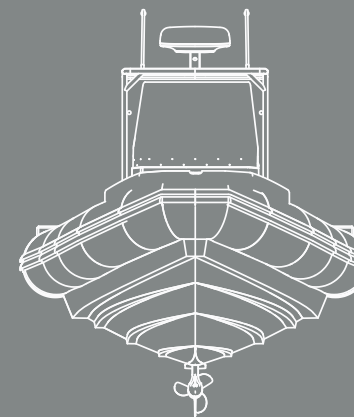
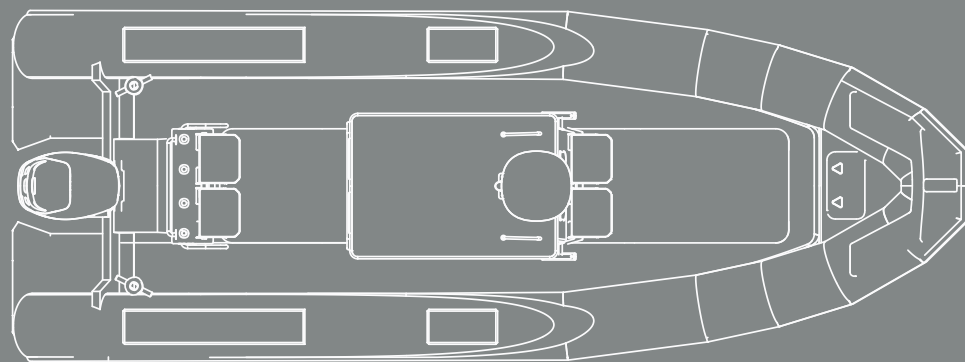


## General Plans



## Technical specifications

CE Category *		C or B
Length overall	(m)	8.44
Inside length	(m)	6.99
Beam overall	(m)	3.02
Inside beam	(m)	1.86
Tube diameter	(cm)	56
Separate chambers		6
Maximum number of persons		22
Maximum load (ex engine weight)	(kg)	2080
Hull weight (hull only)	(kg)	1050
Recommended engine power	(hp)	300
Maximum engine power	(hp)	400
Maximum engine weight	(kg)	600
Engine shaft length		1 XXL - 2 XL

All the Engines are supplied by

