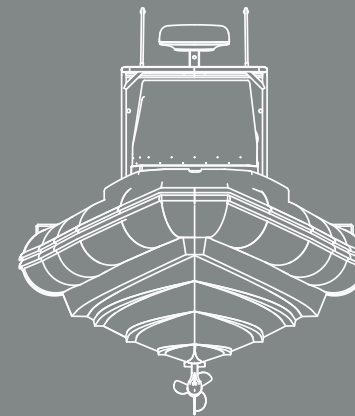
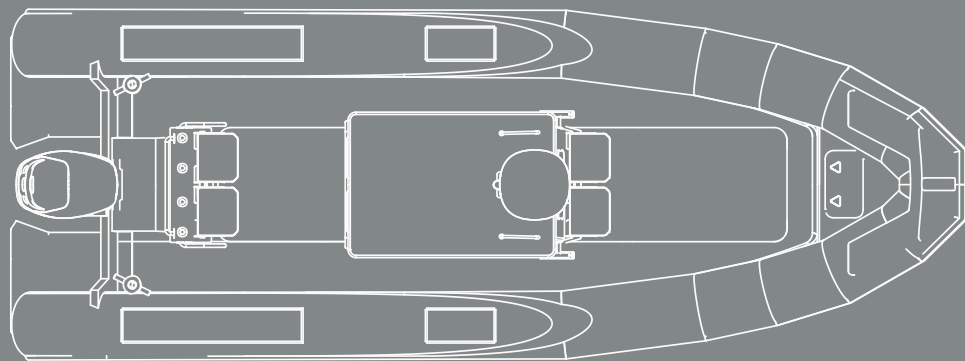


General Plans



Technical specifications

CE Category *		C or B
Length overall	(m)	7,36
Inside length	(m)	5,87
Beam overall	(m)	2,91
Inside beam	(m)	1,86
Tube diameter	(cm)	56
Separate chambers		6
Maximum number of persons		22
Maximum load (ex engine weight)	(kg)	1980
Hull weight (hull only)	(kg)	915
Recommended engine power	(hp)	255
Maximum engine power	(hp)	300
Maximum engine weight	(kg)	495
Engine shaft length		1 XXL - 2 XL

All the Engines are supplied by

